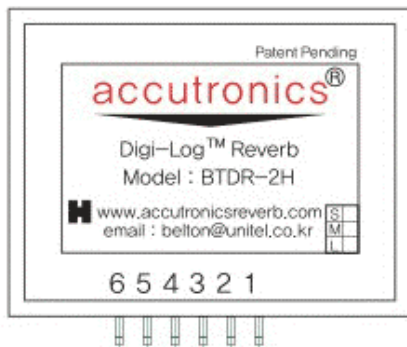


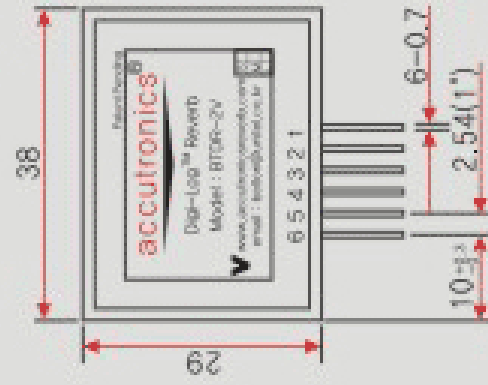
Belton/ Accutronic BTDR-2H-M

NEW ITEM

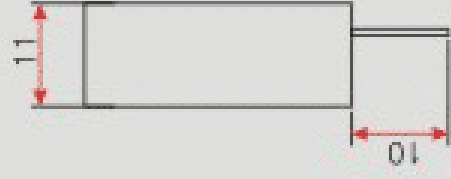
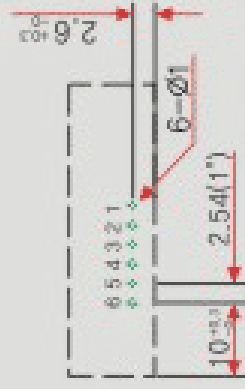


1. +5V
2. Power GND
3. Input
4. Signal GND
5. Output 2
6. Output 1

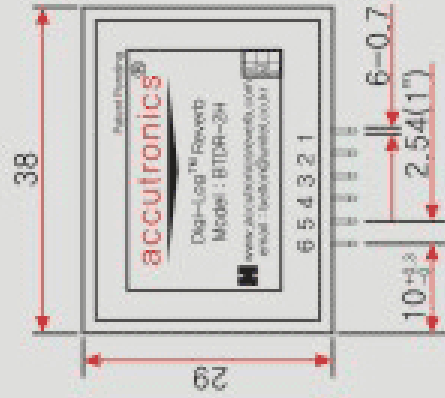
BTDR-2V



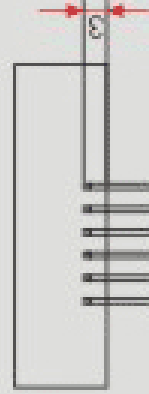
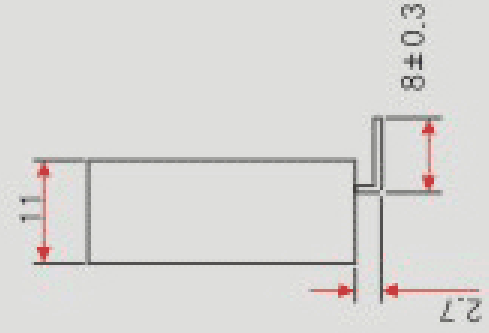
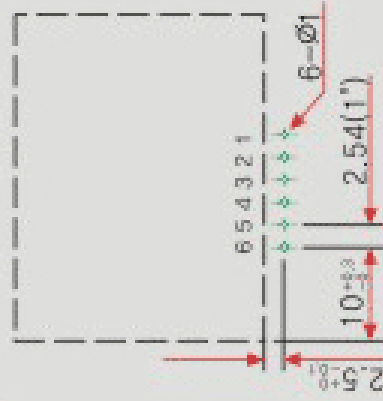
PCB Layout

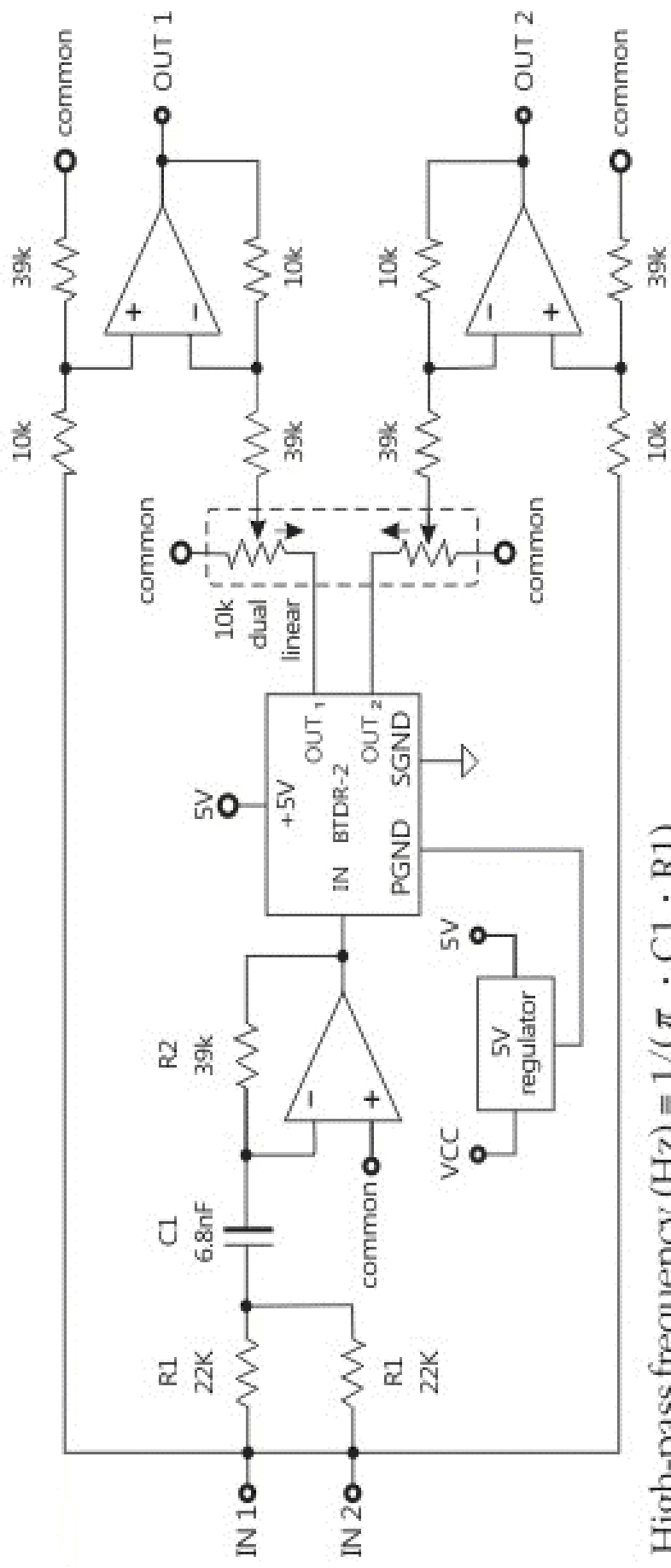


BTDR-2H

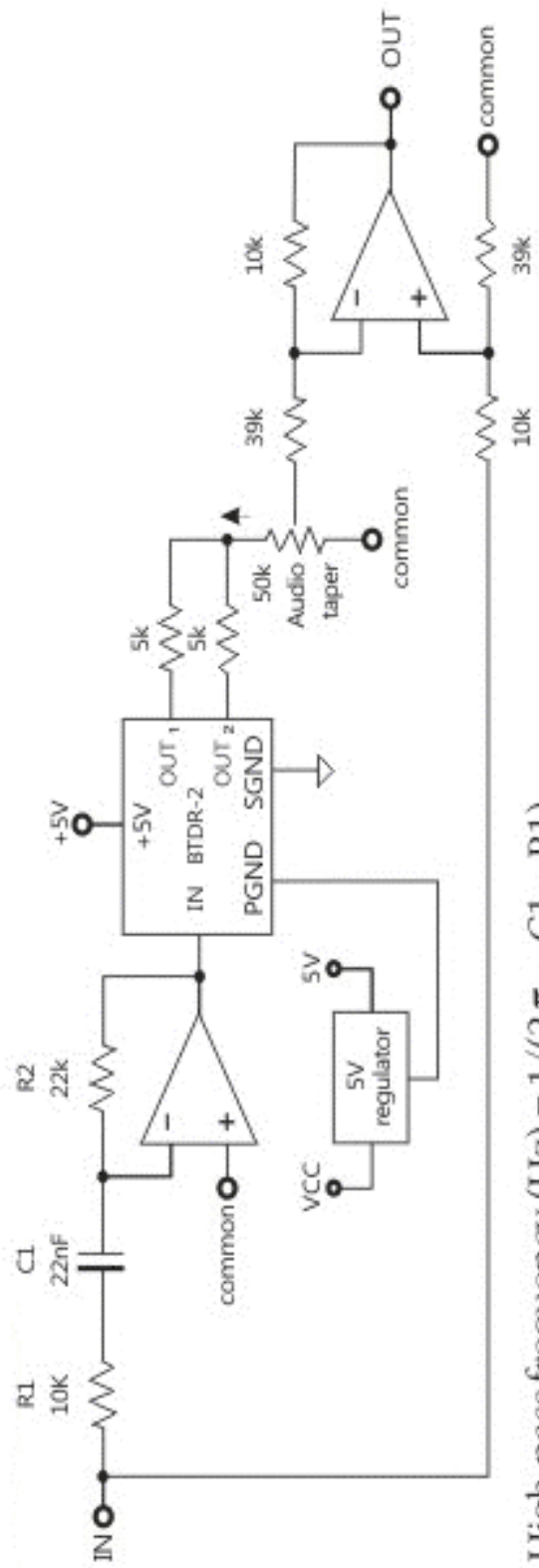


PCB Layout





- High-pass frequency (Hz) = $1/(\pi \cdot C1 \cdot R1)$
- High frequency gain (dB) = $20 \cdot \log(2 \cdot R2/R1)$



- High-pass frequency (Hz) = $1/(2\pi \cdot C1 \cdot R1)$

- High frequency gain (dB) = $20 \cdot \log(R2/R1)$